

BALL VALVE
(Screwed end)

Automation
Simplified...



Solenoid Valve

Angle Seat Valve

Rotary Coupling

Pneumatic Directional Control Valve

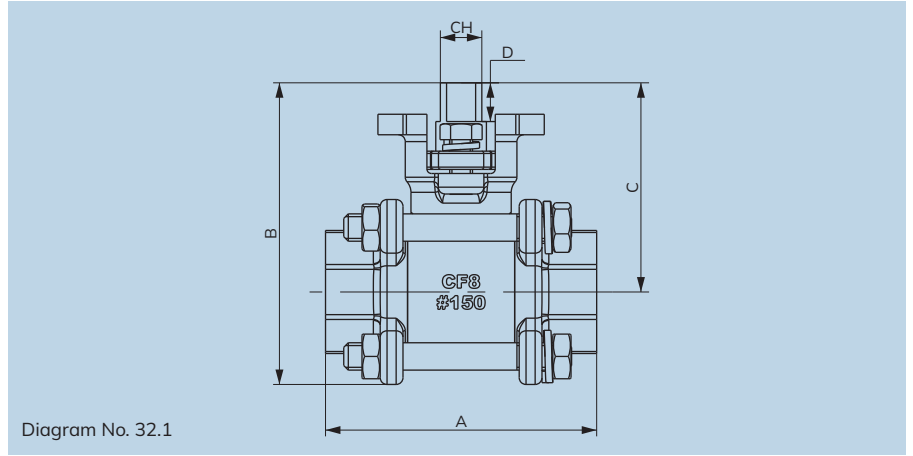
Actuator

Cylinder

One Touch Fitting

Ball Valve

Butterfly Valve



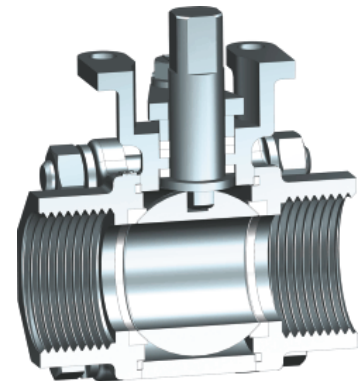
Specifications

Size :	DN15 - DN100
End Connection :	Screwed end (BSP / NPT), Socket Weld
Face to Face :	MFG. Standard
Design Standard :	ASME B16.11, ASME B16.34, API 598, BS EN ISO 17292, ISO 5211
Pressure Class :	150#, 300#
Body Material :	CF8 / CF8M / WCB / CF3M
Pipe End Material :	CF8 / CF8M / WCB / CF3M
Ball Material :	CF8 / CF8M
Body Seal Material :	PTFE / RPTFE / CFT / GFT / PEEK
Seat Ring Material :	PTFE / RPTFE / CFT / GFT / PEEK
Fastener Material :	SS304 / SS316
Stem Seal Material :	PTFE / RPTFE / CFT / GFT / PEEK
Stem Material :	SS304 / SS316 / SS410
Gland Bush Material :	SS304 / SS316 / SS410
Gland Material :	SS304 / SS316 / SS410

Features

- 3PC design twinseal ball valve.
- Full port ball valve.
- Blow out proof stem.
- Floating ball design.
- Hand Lever / Gear / Actuator Operated.
- Face to Face:- MFG standard.
- End Connection:- Screwed / Socket weld (ASME B16.11).
- Balls are precision machined and mirror finished for bubble-tight shut off with less operating torque.
- ISO 5211 top mounting pad available for easy Uflow make actuator mounting.

Section View

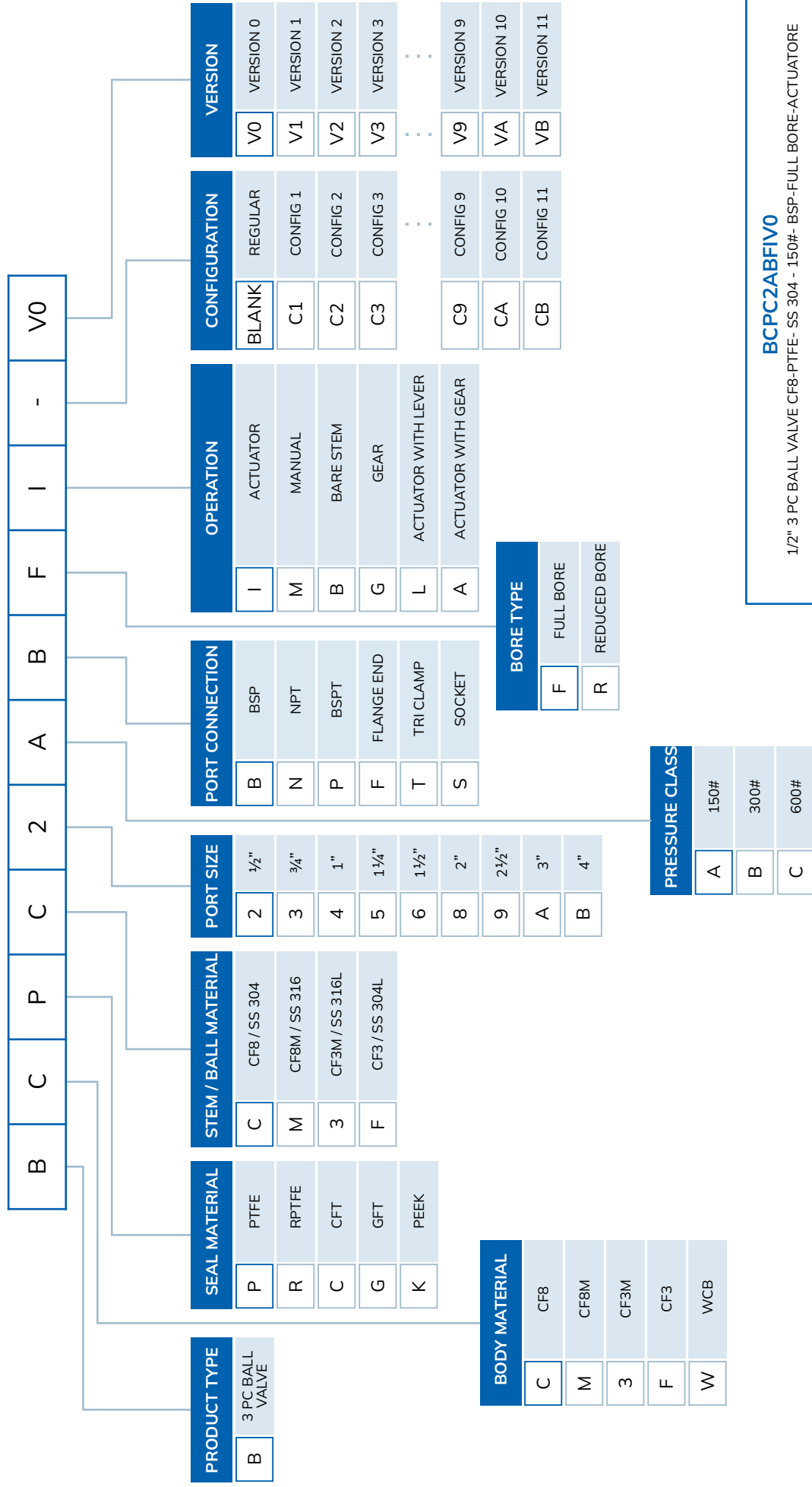


All dimensions are approx.

Dimension (All dimensions in mm)

Model No.	Diagram No.	Pipe (Inch)	A	B	CH	D	C	ISO 5211
BCPC2ABFBV0	32.1	½"	59.50	66	9.1	8.5	46	F03
BCPC3ABFBV0	32.1	¾"	57	71	9.1	9	50	F03
BCPC4ABFBV0	32.1	1"	75.70	90	11	13.5	61.5	F05
BCPC5ABFBV0	32.1	1¼"	85	102.7	11	13	70	F05
BCPC6ABFBV0	32.1	1½"	93.60	110	11	13	73.5	F05
BCPC8ABFBV0	32.1	2"	109	139.6	14	15.5	94	F05
BCPC9ABFBV0	32.1	2½"	139	173	14	15	108.5	F07
BCPCAABFBV0	32.1	3"	166	195	17	16.5	119.5	F07
BCPCBABFBV0	32.1	4"	193	236	22	23	144	F07

BALL VALVE MODEL IDENTIFICATION CHART



Note: The above chart is for identification purposes only, and it may not be possible to make all combinations for the above chart.

Global Presence...



Made In India



CONTACT US:

✉ sales@uflowvalve.com ☎ +91 851 109 8822 🌐 www.uflowvalve.com

📍 Uflow Automation, Ankur Industrial Complex, Survey No: 275/276, Plot No: 31, Nr. Intol Cast Pvt. Ltd. Shapar(Veraval) Dist.: Gujarat (India) - 360 024.