

Automation
Simplified...



Solenoid Valve

Angle Seat Valve

Rotary Coupling

Pneumatic Directional Control Valve

Actuator

Cylinder

One Touch Fitting

Ball Valve

Butterfly Valve

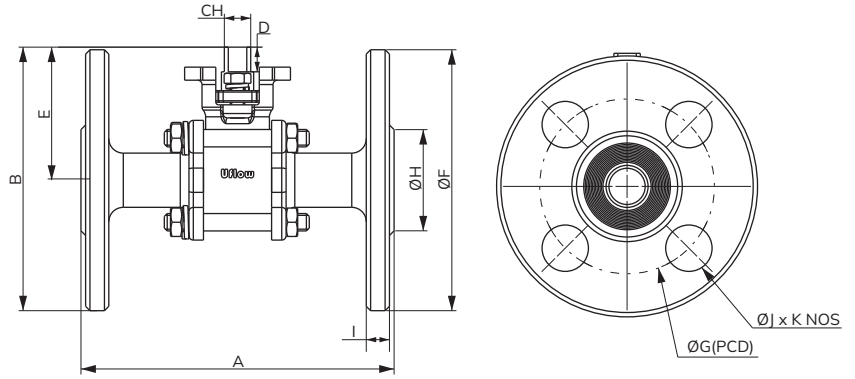


Diagram No. 33.1

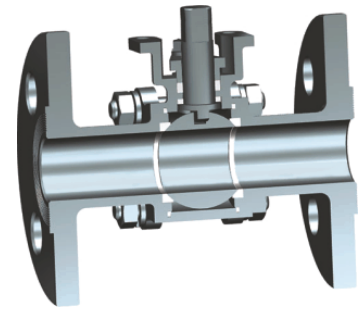
Specifications

Size :	DN15 - DN100
End Connection :	Flange end
Face to Face :	ASME B 16.10 (Flange end)
Pressure Class :	150#, 300#
Design Standard :	ASME B16.10, ASME B16.25, ASME B16.34, ASME B16.5, API 598, BS EN ISO 17292, ISO 5211
Body Material :	CF8 / CF8M / WCB / CF3M
Tail Piece Material :	CF8 / CF8M / WCB / CF3M
Ball Material :	CF8 / CF8M
Body Seal Material :	PTFE / RPTFE / CFT / GFT / PEEK
Seat Ring Material :	PTFE / RPTFE / CFT / GFT / PEEK
Fastener Material :	SS304 / SS316
Stem Seal Material :	PTFE / RPTFE / CFT / GFT / PEEK
Stem Material :	SS304 / SS316 / SS410
Gland Bush Material :	SS304 / SS316 / SS410
Gland Material :	SS304 / SS316 / SS410

Features

- 3PC design twinseal ball valve.
- Full port ball valve.
- Blow out proof stem.
- Floating ball design.
- Hand Lever / Gear / Actuator Operated.
- Face to Face:- ASME B16.10.
- End Connection:- Flanged (ASME B16.5), Butt-weld (ASME B16.25)
- Balls are precision machined and mirror finished for bubble-tight shut off with less operating torque.
- ISO 5211 top mounting pad available for easy Uflow make actuator mounting.

Section View

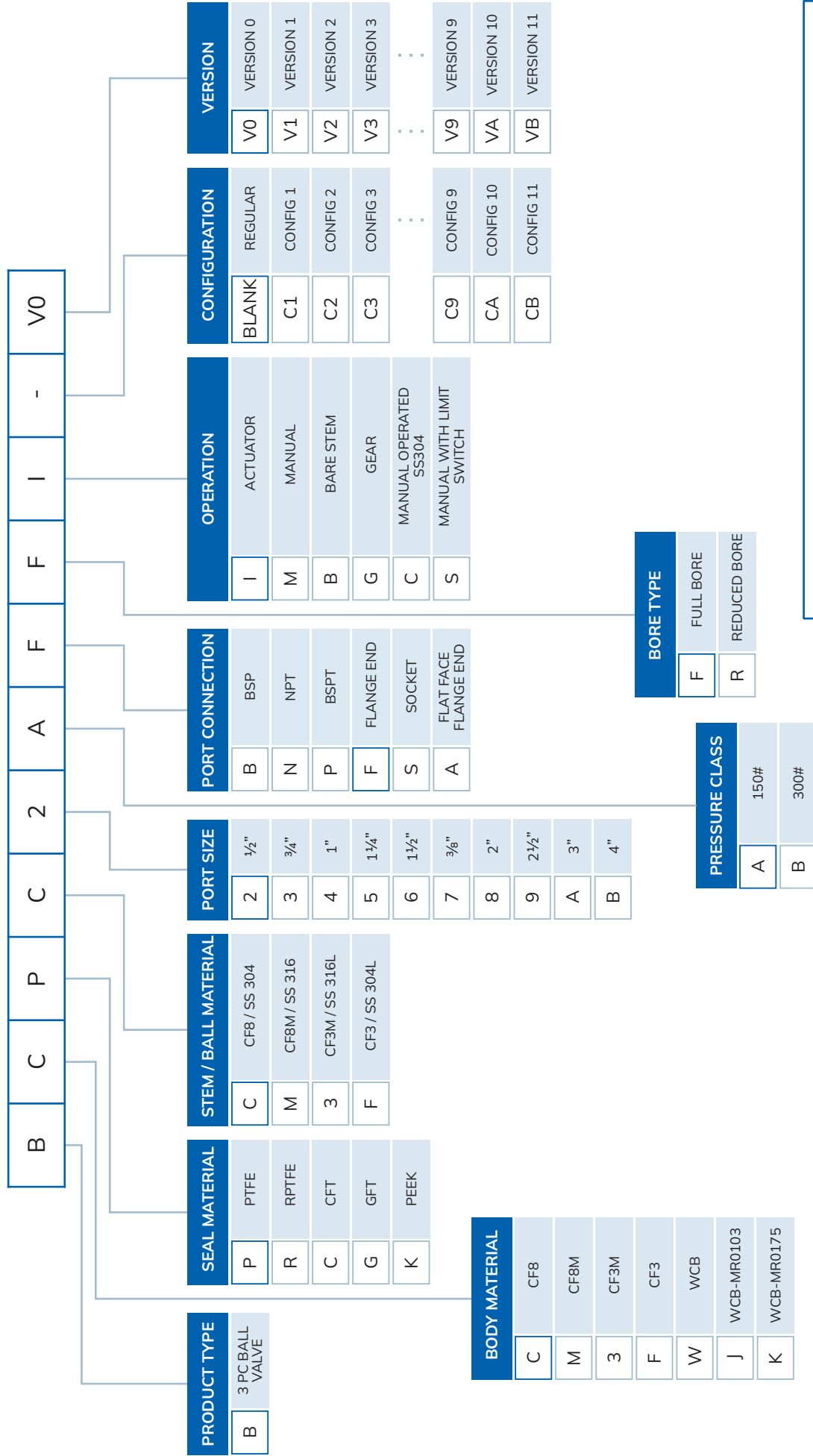


Dimension (All dimensions in mm)

All dimensions are approx.

Model No.	Diagram No.	Pipe (Inch)	A	B	CH	D	E	F	G	H	I	J	K	ISO 5211
BCPC2AFFBV0	33.1	½"	108	91	9.1	8.5	46	90	60.5	35	8	16	4	F03
BCPC3AFFBV0	33.1	¾"	117	100	9.1	9	50	100	70	44.5	9	16	4	F03
BCPC4AFFBV0	33.1	1"	127	117	11	13.5	61.5	110	79.5	48	9.6	16	4	F05
BCPC5AFFBV0	33.1	1¼"	140	127	11	13	70	115	89	63.5	11.2	16	4	F05
BCPC6AFFBV0	33.1	1½"	165	136	11	13	73.5	125	98.5	73	12.5	16	4	F05
BCPC8AFFBV0	33.1	2"	178	169	14	15.5	94	150	121	92	14.5	19	4	F05
BCPC9AFFBV0	33.1	2½"	190	198.5	14	15	108.5	180	139.5	105	16	19.5	4	F07
BCPCAFFBV0	33.1	3"	203	214.5	17	16.5	119.5	190	152.5	127	17.5	19.5	4	F07
BCPCBAFFBV0	33.1	4"	229	259	22	23	144	230	190.5	157	22.5	19	8	F07

BALL VALVE MODEL IDENTIFICATION CHART



BCPC2AFFI0

1/2" 3 PC BALL VALVE CF8-PTFE- SS 304 - 150#- FLANGE END-FULL BORE-ACTUATOR

Global Presence...



Made In India



CONTACT US:

✉ sales@uflowvalve.com ☎ +91 851 109 8822 🌐 www.uflowvalve.com

📍 Uflow Automation, Ankur Industrial Complex, Survey No: 275/276, Plot No: 31, Nr. Intol Cast Pvt. Ltd. Shapar(Veraval) Dist.: Gujarat (India) - 360 024.