

PULSE JET ANGLE TYPE DUST COLLECTOR VALVE
(Normally Close)

Automation
Simplified...



Solenoid Valve

Angle Seat Valve

Rotary Coupling

Pneumatic Directional Control Valve

Actuator

Cylinder

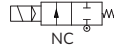
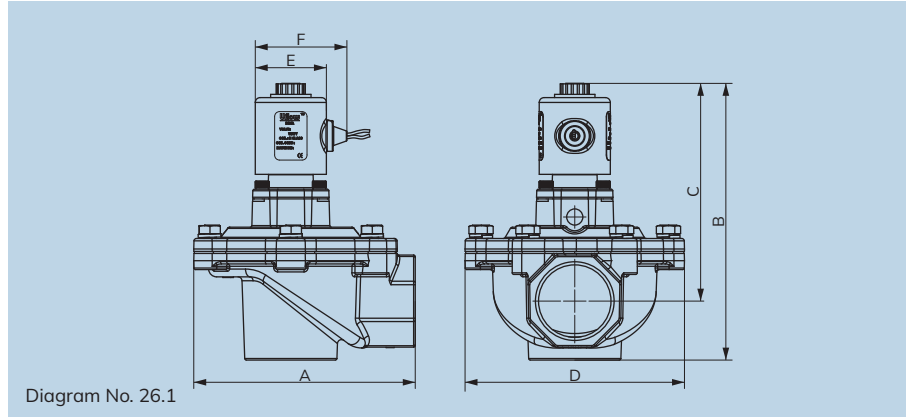
One Touch Fitting

Ball Valve

Butterfly Valve

Country of Origin - INDIA





Specifications

Port :	¾", 1", 1½", 2" & 2½" (Available in BSP /NPT)				
End Connection :	Screwed				
Body Material :	Aluminum Die Cast				
Diaphragm:	Nitrile (NBR)				
Media Temp:	-30°C to 90°C				
Circumstance Temp :	-10°C to 70°C				
Media :	Air				
Main Features :	Internal Parts are in superior corrosion resistance steel, (Equivalent to SS316L) Suitable for Air Pollution Control System, Bag Filter Machine				
Operating Voltage :	24AC	110AC	230AC	12DC	24DC
Power Consumption :	9W	9W	9W	10W	11W
Coil Features :	High Reliability Unaffected by Voltage Surges. Easy coil changes coil lockable in 4X90 position or freely movable in between as require.				
Coil Housing :	IP65 Epoxy square coil, IP65 Metallic round enclosure, IP67 Flameproof enclosure, IP68 Weatherproof enclosure.				
Optional Feature :	90% Power saver series also available.				
Other Specification Data :	Available on Request - Brass silencer to reduce extra noise				

NOTE: Use of filter in the inlet port is recommended.

Technical Data

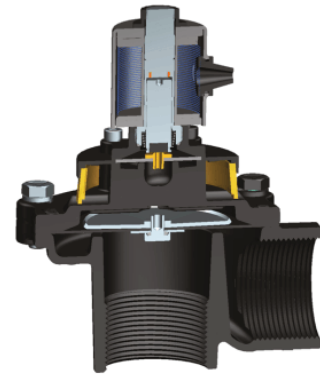
Model No.	Body Material	Pipe (Inch)	Orifice (mm)	Min. Operating Pressure Kg/cm ²	Max. Operating Pressure Kg/cm ²	Seal & Diaphragm Material	Flow Factor Kv m ³ / hr
JAN307BERV0	Aluminium	¾"	28.50	0.5	8.5	NBR	11
JAN407BERV0	Aluminium	1"	28.50	0.5	8.5	NBR	16
JAN607BERV0	Aluminium	1½"	51	0.5	8.5	NBR	40
JAN807BERV0	Aluminium	2"	52	0.5	8.5	NBR	78
JAN907BERV0	Aluminium	2½"	65	0.5	8.5	NBR	120
JAN607BESV0	Aluminium	1½"	51	0.5	8.5	NBR	40
JAN807BESV0	Aluminium	2"	52	0.5	8.5	NBR	78
JAN907BESV0	Aluminium	2½"	65	0.5	8.5	NBR	120

Dimension (All dimensions are in mm)

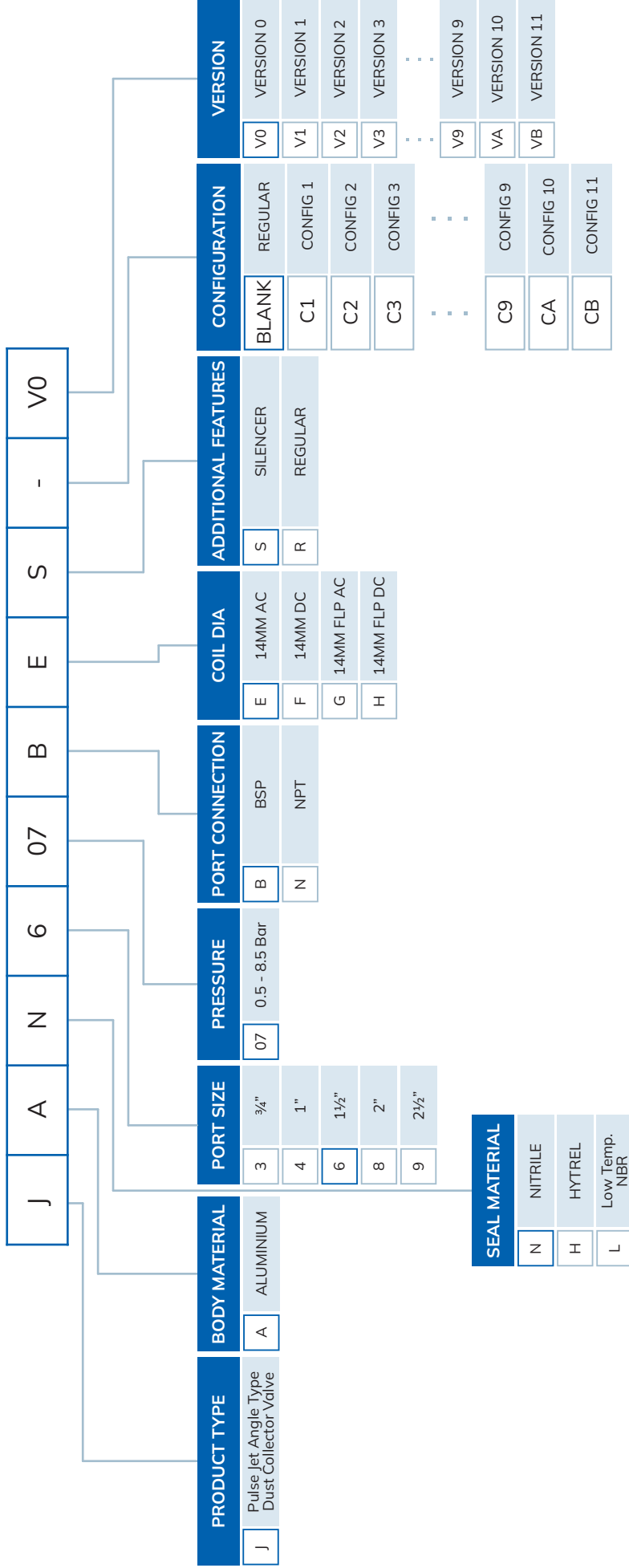
All Dimensions are approx.

Model No.	Port Size	Diagram No.	A	B	C	D	E	F
JAN307BERV0	¾"	26.1	89	134	110	75	38	49
JAN407BERV0	1"	26.1	89	134	110	75	38	49
JAN607BERV0	1½"	26.1	137	171	135	136	38	49
JAN807BERV0	2"	26.1	171	206	161	169	38	49
JAN907BERV0	2½"	26.1	171	206	161	169	38	49

Section View



PULSE JET ANGLE TYPE DUST COLLECTOR TYPE SOLENOID VALVE MODEL IDENTIFICATION CHART



JAN607BESV0
1 1/2" PULSE JET ANGLE TYPE DUST COLLECTOR ALUMINIUM-NITRILE-0.5 TO 8.5 Bar-BSP-14MM-SILENCER

Global Presence...



Made In India



CONTACT US:

✉ sales@uflowvalve.com ☎ +91 851 109 8822 🌐 www.uflowvalve.com

📍 Uflow Automation, Ankur Industrial Complex, Survey No: 275/276, Plot No: 31, Nr. Intol Cast Pvt. Ltd. Shapar(Veraval) Dist.: Gujarat (India) - 360 024.