

**PILOT OPERATED DIAPHRAGM
TYPE SOLENOID VALVE**

Automation
Simplified...



Solenoid Valve

Angle Seat Valve

Rotary Coupling

Pneumatic Directional Control Valve

Actuator

Cylinder

One Touch Fitting

Ball Valve

Butterfly Valve

Country of Origin - INDIA



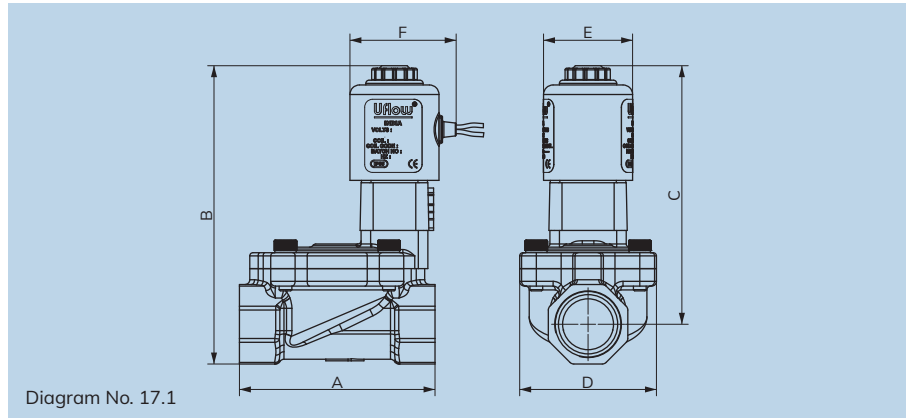
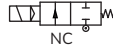


Diagram No. 17.1



Specifications

Port :	3/8", 1/2", 3/4", 1", 1 1/2" & 2" (Available BSP / NPT)			
End Connection :	Screwed			
Body Material :	Forged Brass			
Diaphragm :	Nitrile (NBR)	EPDM	Viton (FKM)	
Media Temp :	-30°C to 90°C	-10°C to 140°C	-10°C to 180°C	
Circumstance Temp :	-10°C to 70°C			
Media :	Air, Water, Chemical, Gas, Oil, Diesel, Kerosene, LPG.			
Main Features :	Internal Parts are in superior corrosion resistance steel, (Equivalent to SS316L) Suitable for Food Industries, Pharmaceuticals, Chemical application & Highly corrosive environment.			
Operating Voltage :	24AC	110AC	230AC	12DC
Power Consumption :	9W / 6W	9W / 6W	9W / 6W	10W / 6W
Coil Features :	High Reliability Unaffected by Voltage Surges. Easy coil changes coil lockable in 4X90 position or freely movable in between as require.			
Coil Housing :	IP65 Epoxy square coil, IP65 Metallic round enclosure, IP68 Weatherproof enclosure.			
Optional Feature :	90% Power saver series also available, Manual Override, Water hammering reducer also available to avoid water hammer forces.			
Other Specification Data :	Available on Request.			

NOTE: Use of filter in the inlet port is recommended.

Technical Data

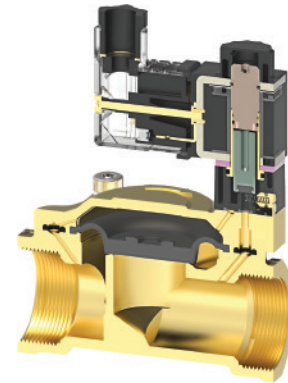
Model No.	Body Material	Pipe (Inch)	Orifice (mm)	Min. Operating Pressure Kg/cm ²	Max. Operating Pressure Kg/cm ²	Seal & Diaphragm Material	Flow Factor Kv m ³ / hr
PBN706BNMVO	BRASS	3/8"	16	0.5	10	NBR / EPDM / VITON	1.5
PBN206BNMVO	BRASS	1/2"	16	0.5	10	NBR / EPDM / VITON	2.1
PBN306BNMVO	BRASS	3/4"	20	0.5	10	NBR / EPDM / VITON	5.5
PBN406BNMVO	BRASS	1"	25	0.5	10	NBR / EPDM / VITON	9
PBN606BNMVO	BRASS	1 1/2"	36	0.5	10	NBR / EPDM / VITON	17.1
PBN806BNEWVO	BRASS	2"	50	0.5	10	NBR / EPDM / VITON	29.9

Dimension - NC (All dimensions in mm)

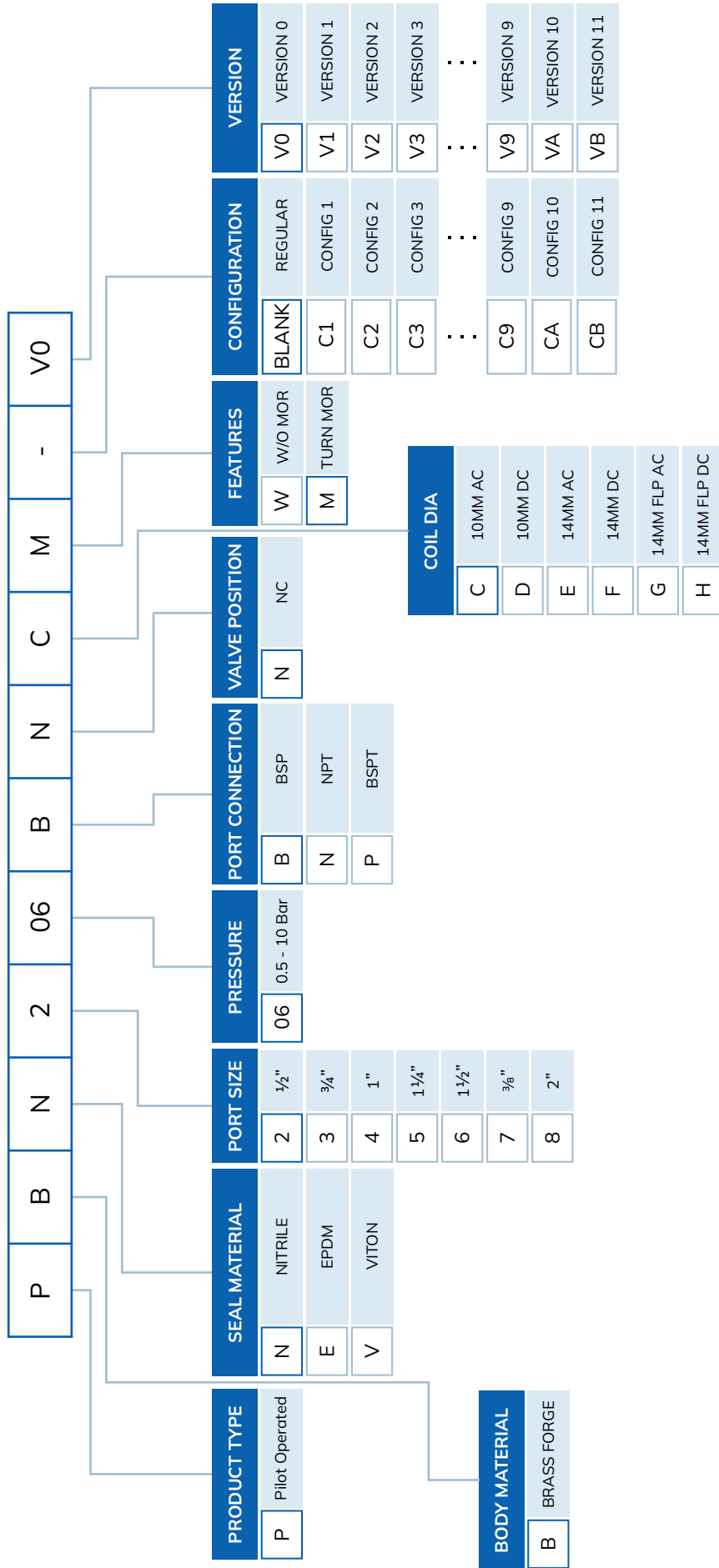
All Dimensions are approx.

Model No.	Port Size	Diagram No.	A	B	C	D	E	F
PBN706BNMVO	3/8"	17.1	62	97	85	43	28	33
PBN206BNMVO	1/2"	17.1	62	97	85	43	28	33
PBN306BNMVO	3/4"	17.1	77	101	85	52	28	33
PBN406BNMVO	1"	17.1	92	109	89	63	28	33
PBN606BNMVO	1 1/2"	17.1	120	123	95	81	28	33
PBN806BNEWVO	2"	17.1	145	153	120	106	38	48

Section View



PILOT OPERATED DIAPHRAGM TYPE SOLENOID VALVE MODEL IDENTIFICATION CHART



PBN206BNCMV0

1/2" PILOT OPERATED DIAPHRAGM BRASS FORGE-NITRILE-0.5 TO 10 Bar-BSP-NC-10MM AC-TURN MOR

Global Presence...



Made In India



CONTACT US:

✉ sales@uflowvalve.com ☎ +91 851 109 8822 🌐 www.uflowvalve.com

📍 Uflow Automation, Ankur Industrial Complex, Survey No: 275/276, Plot No: 31, Nr. Intol Cast Pvt. Ltd. Shapar(Veraval) Dist.: Gujarat (India) - 360 024.