

## 5/2 SINGLE SOLENOID POPPET VALVE (NORMALLY CLOSE)

Automation  
Simplified...



Solenoid Valve

Angle Seat Valve

Rotary Coupling

Pneumatic Directional Control Valve

Actuator

Cylinder

One Touch Fitting

Ball Valve

Butterfly Valve

Country of Origin - INDIA



**Valve Specifications**

Type :	5/2
Design :	Internal Pilot Operated Poppet Valve
Port Size :	In / Out / Exhaust - 1/4" BSP (Available in NPT)
Media :	Compressed Air (Filtered & Lubricated)
working Pressure Range :	2-10 Bar
Orifice :	7mm
Flow Factor :	18 kv (LPM of Water @ 1 bar ΔP)
Ambient / Media Temperature :	5°C - 60°C
Materials of Construction :	Aluminium, Nitrile, Polymer, Brass

**Coil Specification**

Operating Voltage :	24V AC	110V AC	230V AC	12V DC	24V DC
Power Consumption :	9W	9W	9W	10W	11W
Coil Features :	High Reliability Unaffected by Voltage Surges. Easy coil changes coil lockable in 4X90 position or freely movable in between as require.				
Coil Housing :	IP65 Epoxy square coil, IP65 Metallic round enclosure, IP67 Flameproof Junction box, IP68 Weatherproof enclosure.				

**Port Connection**

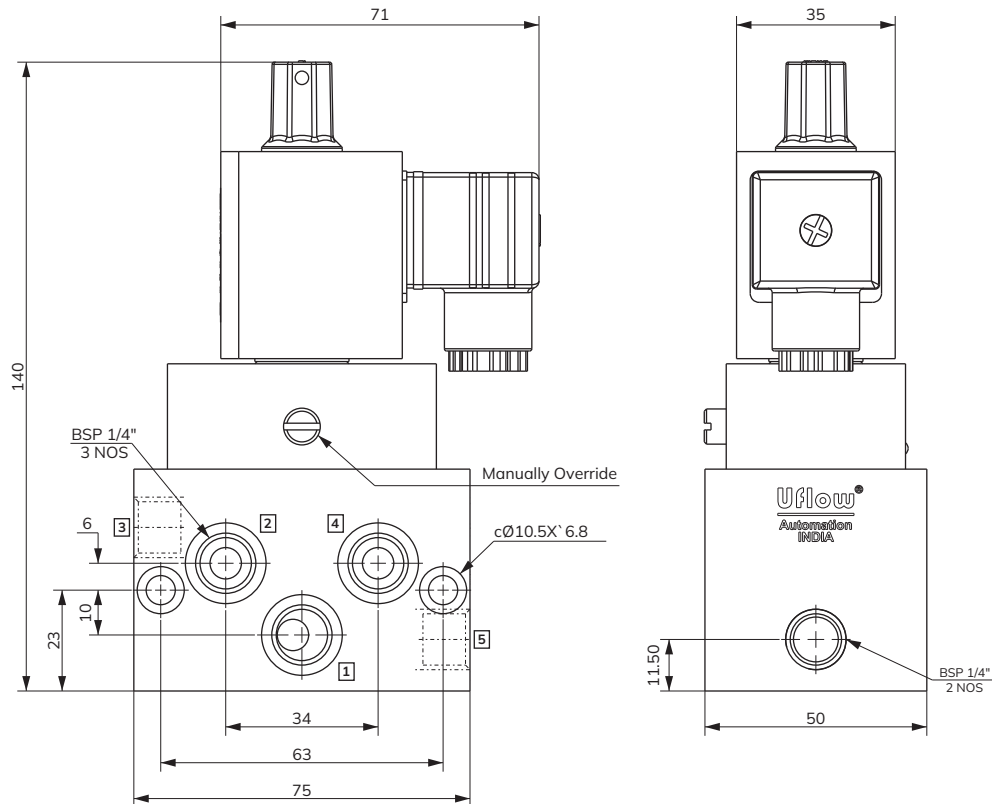
1 - Input, 2/4 - Output, 3/5 - Exhaust

Model No.	Coil Type	Function	Symbol
CFA1BN23ET070V0	AC	Single Solenoid Spring Return	
CFA1BN23FT070V0	DC		

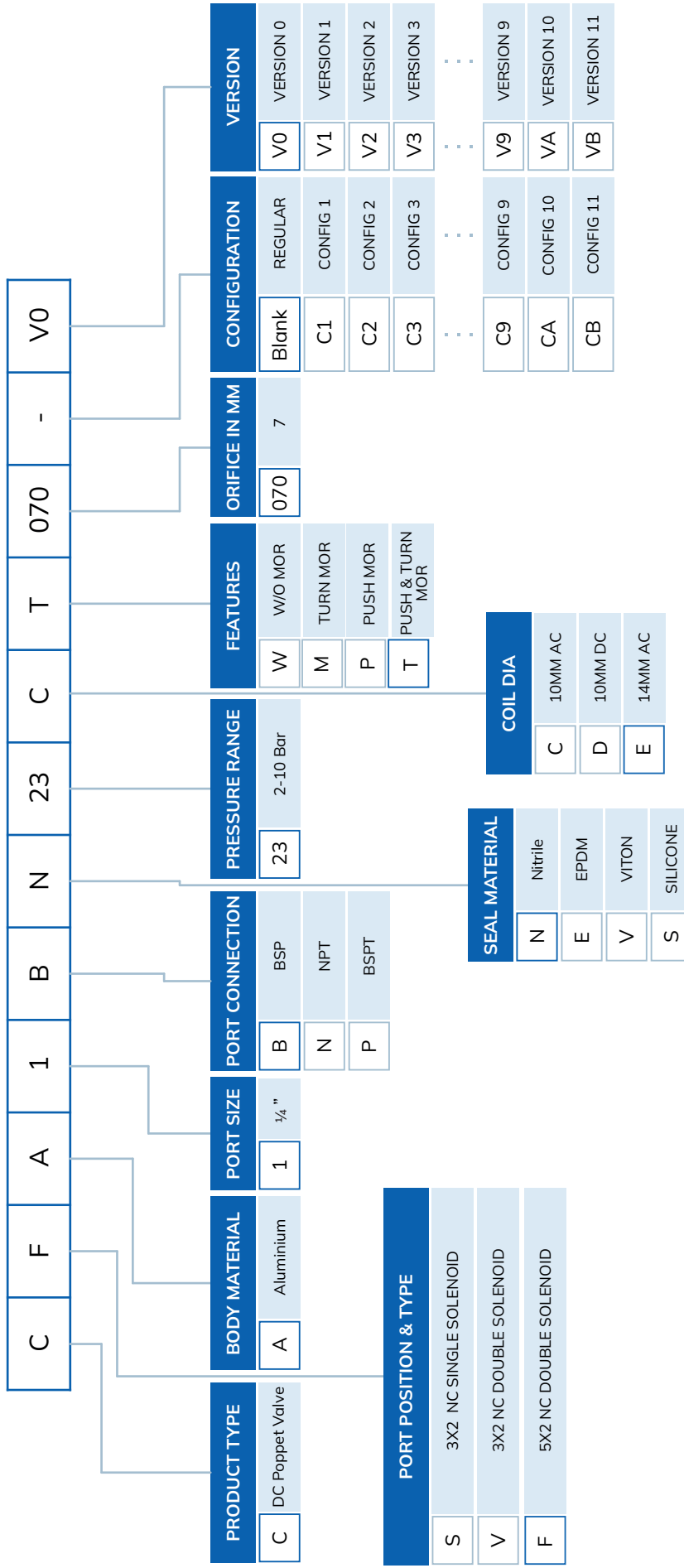
**Features**

- Fast response time 1000 cycle/min
- Manual override
- 10 Million cycle tested
- Lubrication not essential

**Dimension Drawing** (All dimensions in mm)



# DC SOLENOID POPPET TYPE VALVE MODEL IDENTIFICATION CHART



CFA1BN23ET070V0  
 1/4" 5X2 SINGLE SOLENOID DC POPPET VALVE ALUMINIUM-BSP-NITRILE-2 TO 10 Bar-14MM AC-PUSH & TURN MOR-7MM ORIFICE



# Global Presence...




Made In India



## CONTACT US:

 [sales@uflowvalve.com](mailto:sales@uflowvalve.com)  +91 851 109 8822  [www.uflowvalve.com](http://www.uflowvalve.com)

 Uflow Automation, Ankur Industrial Complex, Sur vey No: 275/276, Plot No: 31, Nr. Intol Cast Pvt. Ltd. Shapar( Veraval) Dist.: Gujarat (India) - 360 024.