

**3/2 SINGLE SOLENOID POPPET VALVE
(NORMALLY CLOSE)**

Automation
Simplified...



Solenoid Valve

Angle Seat Valve

Rotary Coupling

Pneumatic Directional Control Valve

Actuator

Cylinder

One Touch Fitting

Ball Valve

Butterfly Valve

Country of Origin - INDIA





Valve Specifications

| | |
|-------------------------------|--|
| Type : | 3/2 |
| Design : | Internal Pilot Operated Poppet Valve |
| Port Size : | In / Out / Exhaust - 1/4" BSP (Available in NPT) |
| Media : | Compressed Air (Filtered & Lubricated) |
| working Pressure Range : | 2-10 Bar |
| Orifice : | 7mm |
| Flow Factor : | 18 kv (LPM of Water @ 1 bar ΔP) |
| Ambient / Media Temperature : | 5°C - 60°C |
| Materials of Construction : | Aluminium, Nitrile, Polymer, Brass |

Coil Specification

Operating Voltage :
Power Consumption :
Coil Features :
Coil Housing :

| | | | | |
|--------|---------|---------|--------|--------|
| 24V AC | 110V AC | 230V AC | 12V DC | 24V DC |
| 9W | 9W | 9W | 10W | 11W |

High Reliability Unaffected by Voltage Surges. Easy coil changes coil lockable in 4X90 position or freely movable in between as require.
IP65 Epoxy square coil, IP65 Metallic round enclosure, IP67 Flameproof Junction box, IP68 Weatherproof enclosure.

Port Connection

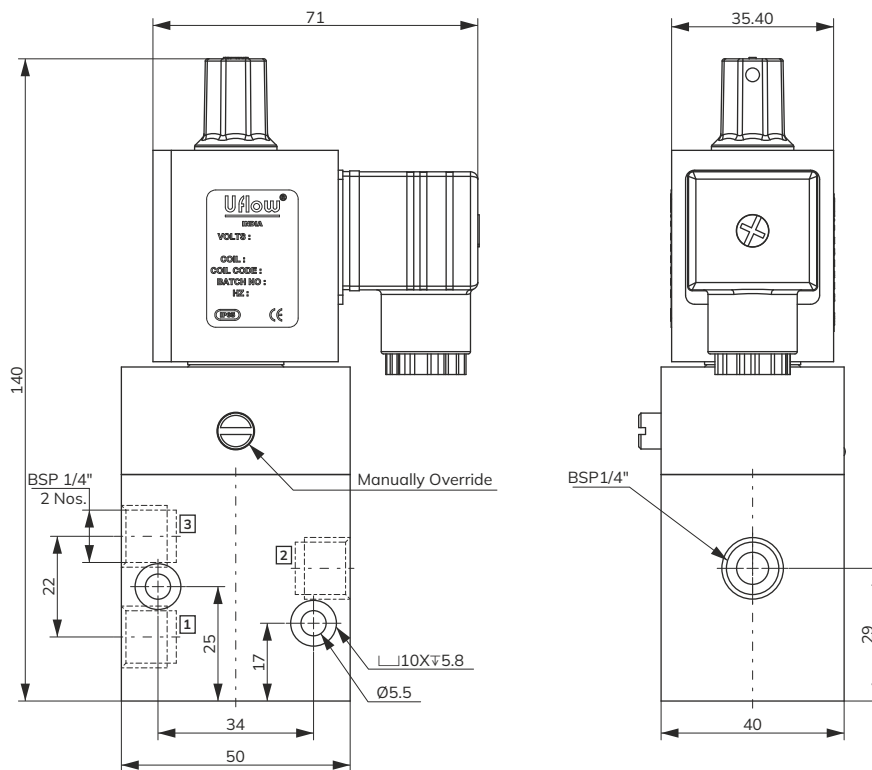
1 - Input, 2 - Output, 3 - Exhaust

| Model No. | Valve Type | Function | Symbol |
|-----------------|------------|---|--------|
| CSA1BN23ET070V0 | NC | Single Solenoid Spring Return (NC / NO) | |
| CSA1BN23FT070V0 | NO | Single Solenoid Spring Return (NC / NO) | |

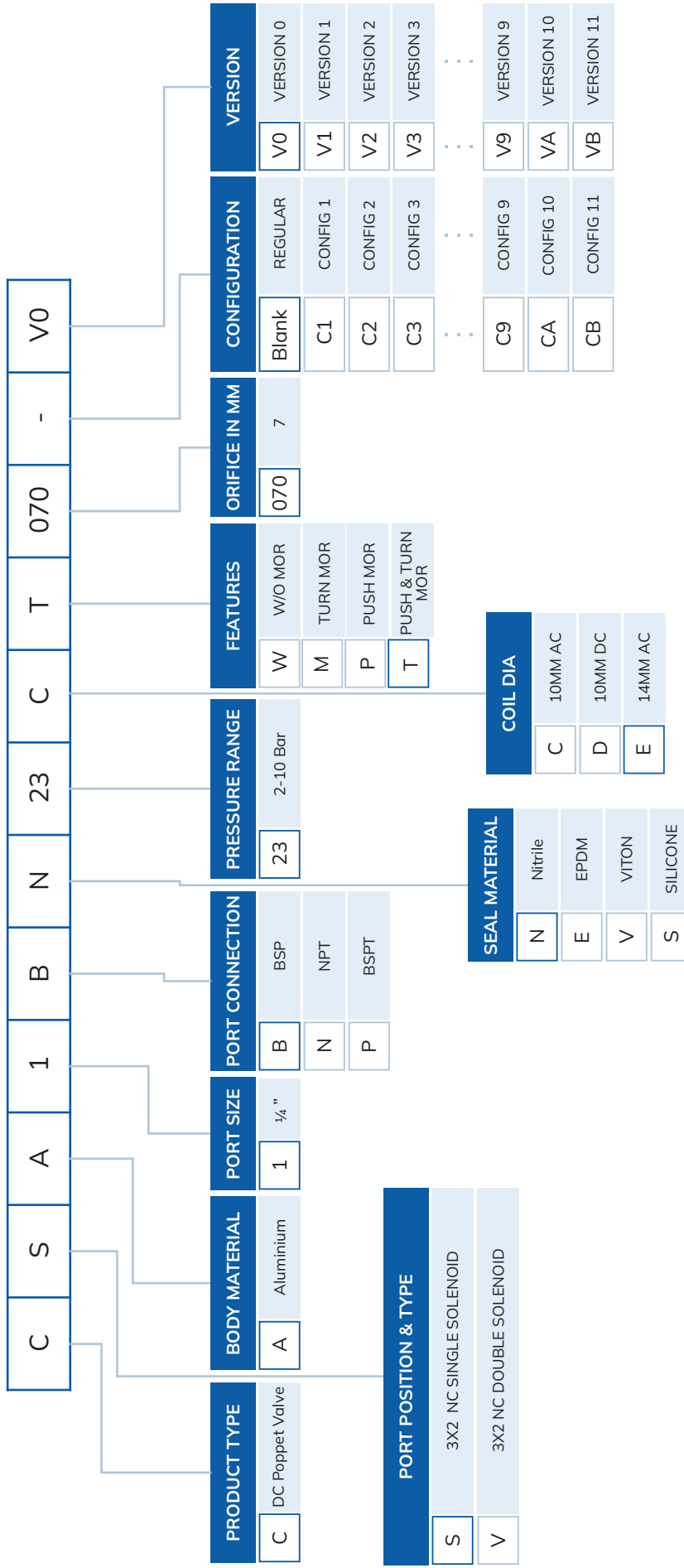
Features

- Fast response time 600 cycle/min
- Manual override
- 10 Million cycle tested
- Lubrication not essential

Dimension Drawing (All dimensions in mm)



DC SOLENOID POPPET TYPE VALVE MODEL IDENTIFICATION CHART



CSA1BN23ET070V0
1/4" 3X2 NC SINGLE SOLENOID DC POPPET VALVE ALUMINIUM-BSP-NITRILE-2 TO 10 Bar-14MM AC-PUSH & TURN MOR-7MM ORIFICE

Global Presence...



Made In India



CONTACT US:

✉ sales@uflowvalve.com ☎ +91 851 109 8822 🌐 www.uflowvalve.com

📍 Uflow Automation, Ankur Industrial Complex, Survey No: 275/276, Plot No: 31, Nr. Intol Cast Pvt. Ltd. Shapar(Veraval) Dist.: Gujarat (India) - 360 024.