



ANGLE SEAT VALVE WITH PLASTIC OPERATOR

(Normally Close / Open / Bi-Directional)

Uflow Automation

Ankur Industrial Complex, Survey No: 275/276, Plot No: 31,

Nr. Intol Cast Pvt. Ltd. Shapar (Veraval) 360 024.

Dist: Rajkot Gujarat (INDIA).

Phone No: +91 2827 254343 | Cell: +91 89059 07070

Email: info@uflowvalve.com | Website: www.uflowvalve.com

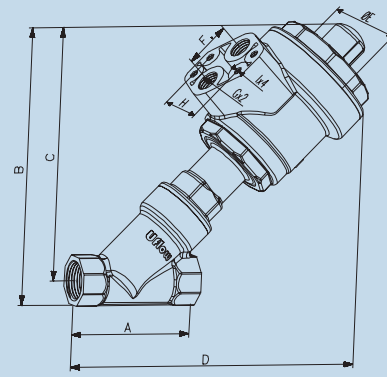
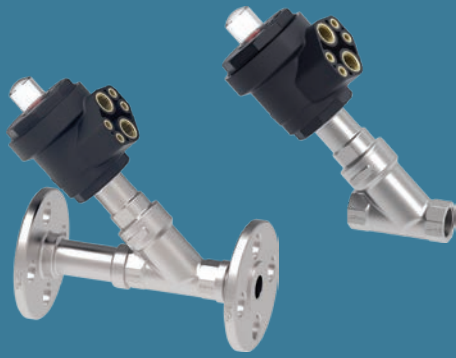
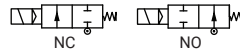


Diagram No. 9.1



SPECIFICATIONS

Port :	Refer below technical data sheet (Available BSP / NPT)
End Connection :	Screwed / Flange / Tri-Clamp
Body & Sleeve Material :	SS ASTM A351 Grade CF8 / CF8M
Seal :	TEFLON / PEEK / VITON / EPDM
Shaft :	SS304 / SS316
Circumstance Temp :	-10°C to 70°C
Media Temp :	-10°C to 180°C

ACTUATOR TYPE

Cover :	Nylon Glass-Filled (Corrosion resistive) with SS Liner
Seal :	NBR / VITON
Working Pressure :	3.5 to 8 bar (Air)
Life :	Three Million Cycle Tested
Other Technical Data :	Available on Request - High Pressure 25Kg series

NOTE: Use of filter in the inlet port is recommended

FEATURES

- Convertible from single Acting to Double Acting .
- Multiple Function with the same operator - NC / NO / Bi-Directional.
- Rotatable Operator - 360°.
- Namur connection for easy to install Pilot Solenoid Valve (Optional).
- Also available in non-Namur connection operator.
- Transparent dome for visual valve open indication.
- Lubricated air not essential.
- Flow direction below or above the seat.
- Media : Steam, Air, Water, Chemical, Gases, Oil, Diesel, Hot Water.
- Application: Steam, Autoclave and Sterilizer, Ink and Paint dispensing, Industrial compressor bottling and dispensing equipment, textile dyeing and drying and pharmaceutical.

DIMENSION

All dimensions are in mm

Model No.	Port Size	Diagram No.	A	B	C	D	E	F	G	H	I
ACP255	½"	9.1	65	141.50	129	151.50	64.50	24	G1/4"	32	M5
ACP355	¾"	9.1	77	151	134	161.50	64.50	24	G1/4"	32	M5
ACP456	1"	9.1	89	194	173	202	85	24	G1/4"	32	M5
ACP556	1¼"	9.1	124	210.50	183	219	85	24	G1/4"	32	M5
ACP656	1½"	9.1	124	210.50	183	219	85	24	G1/4"	32	M5
ACP858	2"	9.1	150	285	250	302	115	24	G1/4"	32	M5

TECHNICAL DATA

Model No.	Body Material	Pipe (Inch)	Orifice (mm)	Min. Operating Pressure Kg/cm ²	Max. Operating Pressure Kg/cm ²	Seal & 'O' Ring Material	Flow Factor Kv m ³ / hr
ACP255	CF8 / CF8M	½"	14.50	0	16	PTFE / PEEK / VITON	6
ACP355	CF8 / CF8M	¾"	20	0	16	PTFE / PEEK / VITON	10.9
ACP456	CF8 / CF8M	1"	25	0	16	PTFE / PEEK / VITON	21
ACP556	CF8 / CF8M	1¼"	40	0	16	PTFE / PEEK / VITON	35
ACP656	CF8 / CF8M	1½"	40	0	16	PTFE / PEEK / VITON	49
ACP858	CF8 / CF8M	2"	50	0	16	PTFE / PEEK / VITON	68

For clarification about pressure range ask for the individual catalogue.



SECTION VIEW

ANGLE SEAT VALVE PLASTIC ACTUATOR MODEL IDENTIFICATION CHART

