

AUTO DRAIN VALVE

Series NA1

Cat No APA - 02 - C

**AUTO DRAIN VALVE suitable for Filter Series F13, F14, F15 and F17
Filter Regulator combination series FRC13, FRC14, FRC15 and FRC17**

Features

- Individual unit (Externally mountable)
- Low operating pressure
- Compact size
- Elegant design and finish
- Long life

Function

These Auto drain units are externally mountable on G1/4, 3/8, 1/2, 3/4 and 1/2 size Filters and FRC units.

As the condensed water collects in the drain unit, the float moves up and drains the water.

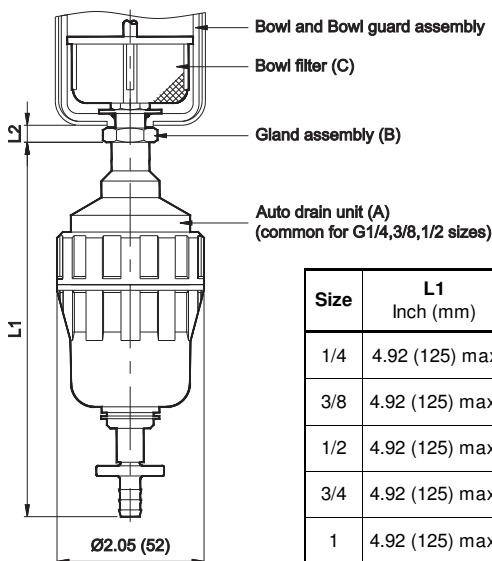
The condensate water can also be drained manually.

A plastic tube can be fitted at the bottom of the auto drain unit to take the drained water away from the unit.



Technical Specifications

Ordering No.	A2D01	A2D02	A2D03
Size	NPT 1/4 (G1/4)	NPT 3/8 (G3/8)	NPT 1/2 (G1/2)
Medium	Compressed air		
Operating pressure	28 - 140 psi (2 - 10 bar)		
Ambient Temperature	41° - 140° F (5° - 60° C)		
Installation	Vertical (as in the picture)		
Materials of construction	Aluminium, Brass, Acetal, Stainless steel, Nitrile		



Size	L1 Inch (mm)	L2 Inch (mm)	Auto drain unit (A)	Gland Assy. (B)	Bowl filter (C)	Model (A+B+C)
1/4	4.92 (125) max	0.28 (7)	NA100	LA2003	752002	A2D01
3/8	4.92 (125) max.	0.28 (7)	NA100	LA2004	752003	A2D02
1/2	4.92 (125) max.	0.28 (7)	NA100	LA2005	752004	A2D03
3/4	4.92 (125) max.	0.28 (7)	NA100	LA2005	752004	A2D03
1	4.92 (125) max.	0.28 (7)	NA100	LA2005	752004	A2D03



Note

When ordered as A2D01, Auto drain unit with a Gland assembly and a Bowl filter suitable for NPT1/4 (G1/4) Filter or FRC will be supplied. The Auto drain unit can be ordered separately. Ordering no: NA100

Subject to change